

General Notes: All aisle and construction dimensions are the sole responsibility of the customer. Customer is also responsible for proper clearance, exiting and other safety issues required by state and local codes.

14' x 7' x 67"/53" Mini Bullpen

HMI AO2C

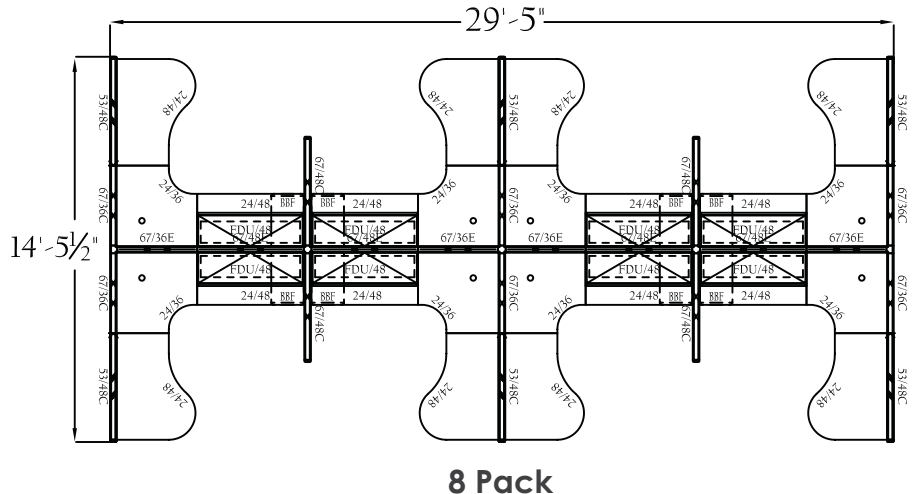
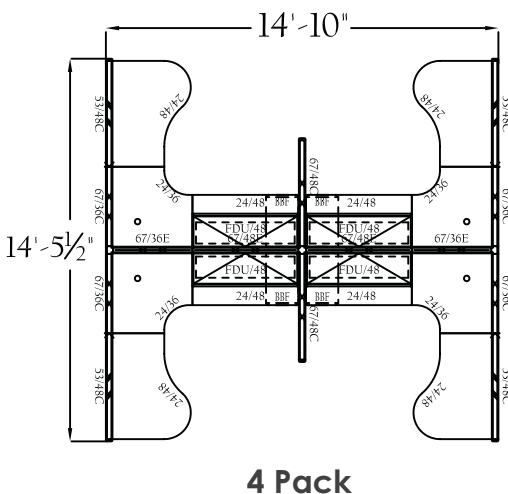
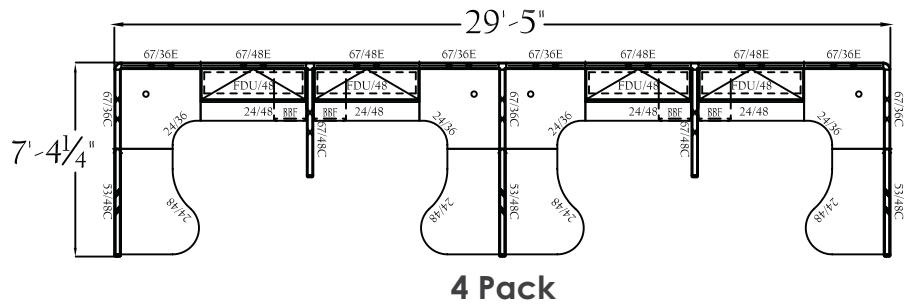
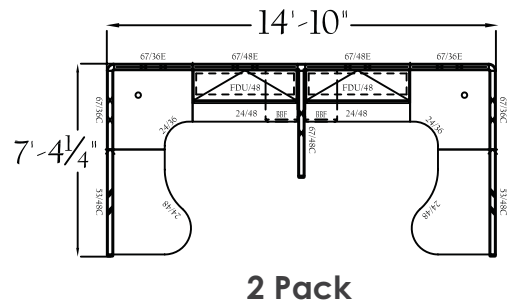


FEATURE AND BENEFITS

- Fabric wrap acoustical panel comes in various heights and widths. Structural for hanging worksurface and overhead storage. House electrical and data wires at base.
- Work surface can be attached to panel at various heights. Attachment hardware is included.
- Drawer units provide storage for organizing personal items / files.
- Base cover provide easy access to electrical and data cabling. High-powered, 4-circuit, 8-wire system with 1 dedicated circuit. Lay-in cabling capability for quick installation of wirings
- Aesthetic, functional, simplicity and value

- 98 Square feet of floor space for 2 cubicles
- Seated & standing privacy (67"/53" High)
- Medium Privacy
- High Collaboration / Teaming

TYPICAL LAYOUTS



SINGLE RUN

DOUBLE RUN